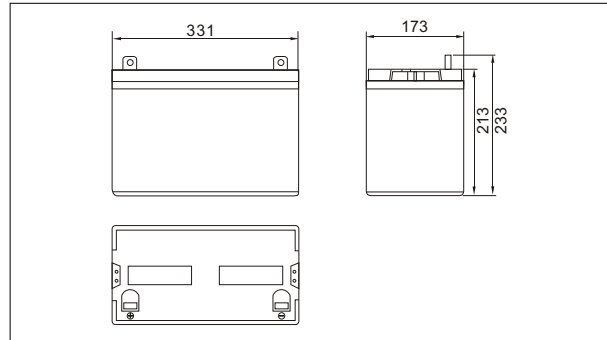




SW12430W(12V430W)



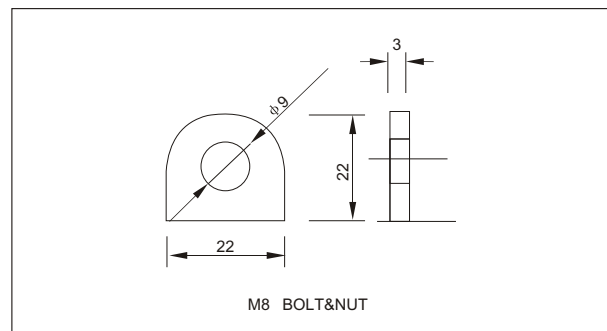
Outer dimensions (mm)



Specifications

Nominal Voltage	12 V	
CAPACITY(15 minutes rate to 1.67V/cell)	430W	
Dimensions	Total Height	233 mm (9.17 inches)
	Height	213 mm (8.39 inches)
	Length	331 mm (13.0 inches)
	Width	173 mm (6.81 inches)
Weight Approx	33.5 Kg (73.7 lbs)	

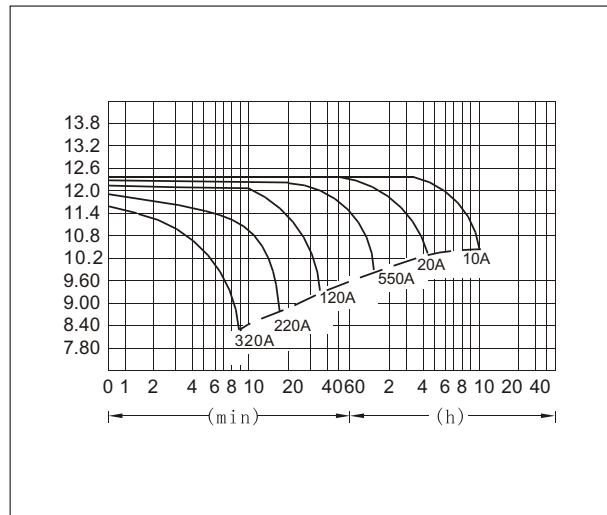
Terminal Type (mm)



Characteristics

Capacity 25°C(77°F)	60min rate	775W
	30min rate	1358W
	15min rate	2580W
	5min rate	4975W
Internal Resistance	Full charged Battery at 25°C(77°F)	2.5 m Ω
Capacity affected by Temperature (20hour rate)	40°C(104°F)	102%
	25°C(77°F)	100%
	0°C(32°F)	85%
	-15°C(5°F)	65%
Self-Discharge at 25°C(77°F)	Capacity after 3 month storage	91%
	Capacity after 6 month storage	82%
	Capacity after 12 month storage	64%
Terminal	T10、T16	
Charge (constant Voltage)	Cycle	Initial Charging Current less than 48A Voltage 14.10-14.40V
	Float	Voltage 13.50-13.80V

Discharge Curves 25 °C(77°F)



Constant power discharge:watts(25°C, 77 F)

Constant current discharge unit:A(25°C, 77 F)

	5min	10min	15min	20min	30min	40min	45min	50min	60min	90min
9.60V	4975	3410	2643	2178	1624	1307	1196	1093	937	697
10.02V	4724	3300	2584	2141	1587	1270	1152	1063	915	673
10.2V	4651	3174	2525	2089	1558	1240	1137	1048	893	650
10.5V	4370	3100	2458	2052	1528	1211	1100	1004	856	619
10.8V	3639	2776	2178	1905	1358	1129	982	937	775	595
11.1V	3049	2480	1978	1757	1262	1063	923	886	729	565

	5min	10min	15min	20min	30min	40min	45min	50min	60min	90min
9.60V	471.2	319.9	247.3	203.0	151.3	121.1	110.6	100.9	86.4	64.1
10.02V	439.2	303.9	237.4	195.6	145.2	115.9	104.9	96.1	82.6	60.8
10.2V	428.1	290.4	228.8	189.5	140.3	112.1	102.6	94.0	79.8	58.2
10.5V	393.7	279.3	214.1	183.3	130.4	107.8	94.2	89.2	72.8	54.6
10.8V	322.3	243.6	189.5	166.1	117.9	97.9	85.1	81.0	67.1	51.2
11.1V	269.4	217.8	173.5	152.6	110.0	92.1	79.8	76.3	62.9	48.6