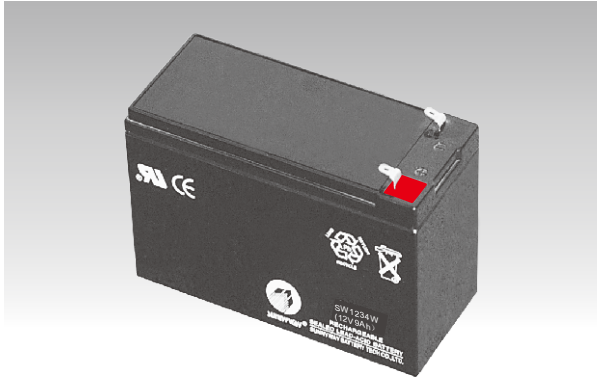
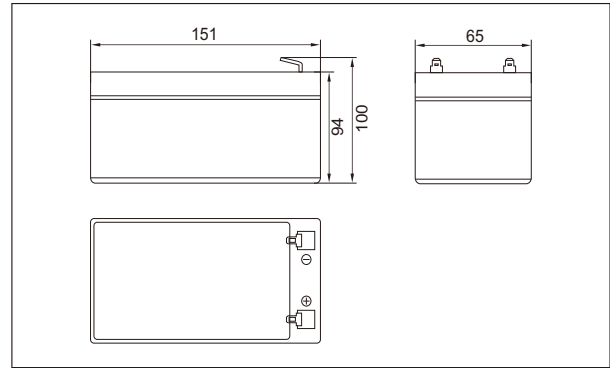




SW1234W(12V34W)



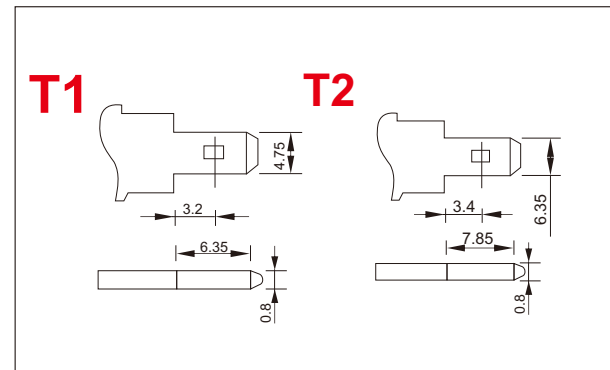
Outer dimensions (mm)



Specifications

Nominal Voltage	12V	
CAPACITY(15 minutes rate to 1.67V/cell)	34W	
Rated capacity (20 hour rate)	9Ah	
Dimensions	Total Height	100mm (3.94 inches)
	Height	94mm (3.70 inches)
	Length	151mm (5.94 inches)
	Width	65mm (2.56 inches)
Weight Approx	2.38Kg (5.2 lbs)	

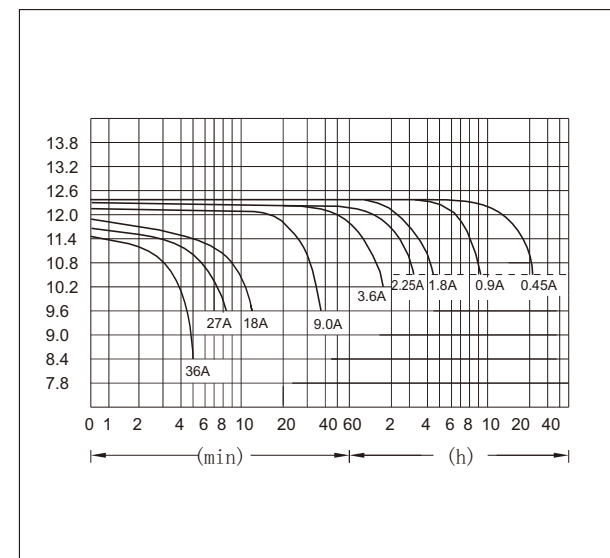
Terminal Type (mm)



Characteristics

Capacity 25°C(77°F)	30min rate	115W
	15min rate	204W
	6min rate	393W
Internal Resistance	Full charged Battery at 25(77°F)	22 mΩ
Capacity affected by Temperature (20hour rate)	40°C(104°F)	102%
	25°C(77°F)	100%
	0°C(32°F)	85%
	-15°C(5°F)	65%
Self-Discharge at 25°C(77°F)	Capacity after 3 month storage	91%
	Capacity after 6 month storage	82%
	Capacity after 12 month storage	64%
Terminal	T1、T2	
Charge (constant Voltage)	Cycle	Initial Charging Current less than 2.7A Voltage 14.10-14.40V
	Float	Voltage 13.50-13.80V

Discharge Curves 25°C(77°F)



Constant power discharge unit:watts(25C , 77 F)

	2MIN	4MIN	6MIN	8MIN	10MIN	15MIN	30MIN	60MIN
1.6V	675.0	503.9	392.6	335.7	288.9	213.1	121.5	65.4
1.67V	629.0	471.1	366.5	317.9	273.2	204.0	115.7	62.9
1.7V	609.5	457.1	355.4	310.4	266.4	200.1	114.9	61.9
1.75V	577.7	432.9	343.6	298.7	253.3	193.1	113.1	61.6
1.8V	545.9	409.4	331.8	287.0	240.3	186.0	111.2	61.3
1.85V	514.0	385.6	320.1	275.3	227.2	178.6	109.4	61.0

Constant current discharge unit:A(25C , 77 F)

	5MIN	10MIN	15MIN	30MIN	60MIN	5h	10h	20h
1.60V	38.34	30.40	21.73	12.12	6.60	1.76	0.86	0.49
1.67V	36.50	28.44	21.51	11.59	6.30	1.73	0.85	0.48
1.7V	34.75	27.84	20.22	11.38	6.19	1.71	0.84	0.47
1.75V	33.01	26.34	19.43	11.16	6.17	1.65	0.83	0.45
1.80V	30.83	24.84	18.62	10.95	6.13	1.60	0.81	0.44
1.85V	29.54	24.21	17.82	10.71	6.10	1.53	0.79	0.43